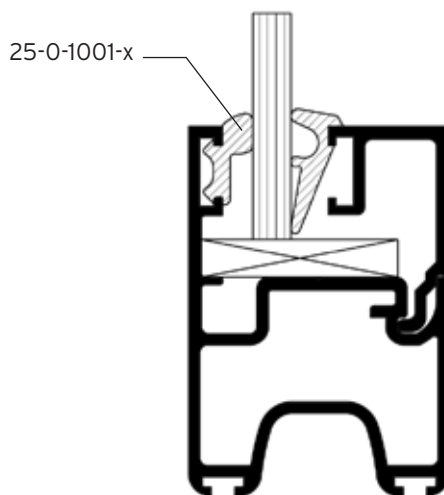


**I Glasleisten und Glasdichtungen / Glazing Profiles**

| Glasdicke<br>glass thickness | Glasleiste<br>glazing profile | Dichtung<br>sealing profile |
|------------------------------|-------------------------------|-----------------------------|
| 5-18 mm                      |                               |                             |
| 5                            | 5-35-08-x                     | 25-0-1005-x                 |
| 6                            | 5-35-08-x                     | 25-0-1005-x                 |
| 7                            | 5-35-16-x                     | 25-0-1006-x                 |
| 8                            | 5-35-16-x                     | 25-0-1006-x                 |
| 9                            | 5-35-16-x                     | 25-0-1006-x                 |
| 10                           | 5-35-16-x                     | 25-0-1004-x                 |
| 11                           | 5-35-16-x                     | 25-0-1004-x                 |
| 15                           | 5-35-09-x                     | 25-0-1006-x                 |
| 16                           | 5-35-09-x                     | 25-0-1005-x                 |
| 17                           | 5-35-09-x                     | 25-0-1005-x                 |
| 18                           | 5-35-09-x                     | 25-0-1004-x                 |



25-0-1004-x  
 Glasdichtung  
 glass gasket with lip



Einbau: 2,5 - 3,5 mm  
 seal gap 2.5 - 3.5 mm

25-0-1005-x  
 Glasdichtung  
 glass gasket with lip



Einbau: 3,5 - 5,5 mm  
 seal gap 3.5 - 5.5 mm

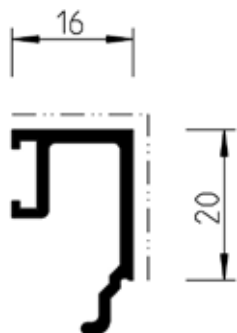
25-0-1006-x  
 Glasdichtung  
 glass gasket with lip



Einbau: 5,5 - 7,5 mm  
 seal gap 5.5 - 7.5 mm

5-35-08-x  
 Glasleistenprofil 16 mm  
 glazing profile 16mm

$A_{red} = 122 \text{ mm}$   
 $A_{mech} = 36 \text{ mm}$



5-35-09-x  
 Glasleistenprofil 5 mm  
 glazing profile 5mm

$A_{red} = 81 \text{ mm}$   
 $A_{mech} = 25 \text{ mm}$



5-35-16-x  
 Glasleistenprofil 12 mm  
 glazing profile 12mm

$A_{red} = 114 \text{ mm}$   
 $A_{mech} = 32 \text{ mm}$

